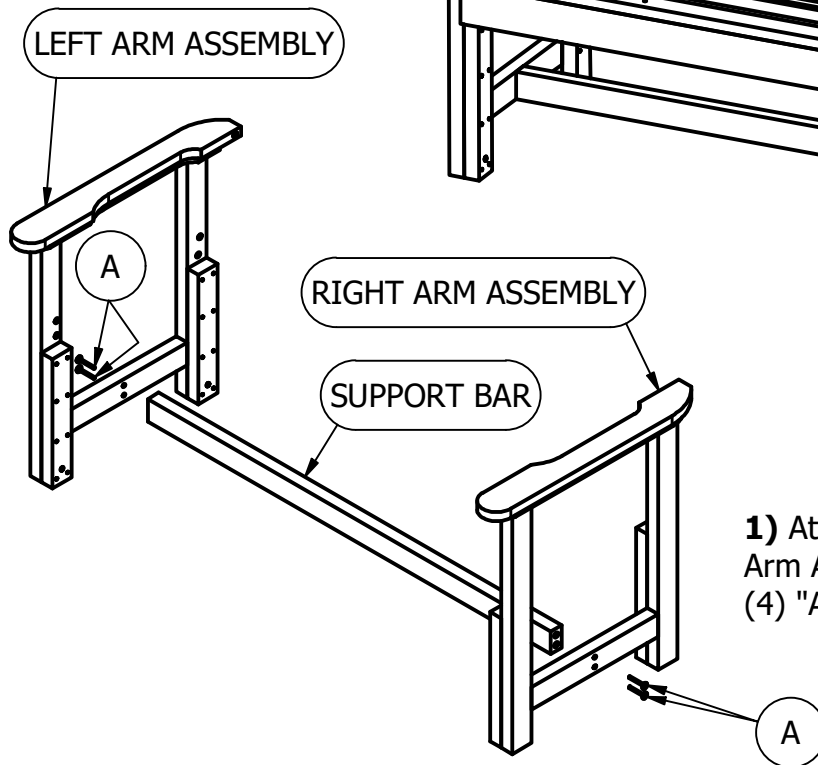


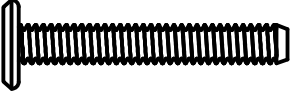
# Sequoia Professional Exeter 4' Garden Bench

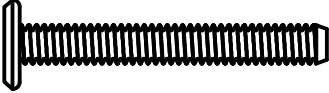
## Assembly Guide

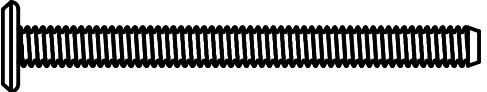


**1)** Attach (1) Support Bar to Arm Assemblies using (4) "A" Bolts as shown.

### HARDWARE

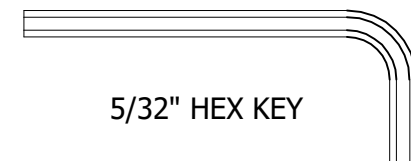
A  x4  
1/4"-20 X 1-3/4"

B  x10  
1/4"-20 X 2"

C  x6  
1/4"-20 X 3"

**VERY IMPORTANT!**  
DO NOT fully tighten the bolts until all bolts are started. Once all bolts are inserted, go back & tighten all the bolts.  
Retain these instructions for future reference

### INCLUDED TOOLS



5/32" HEX KEY



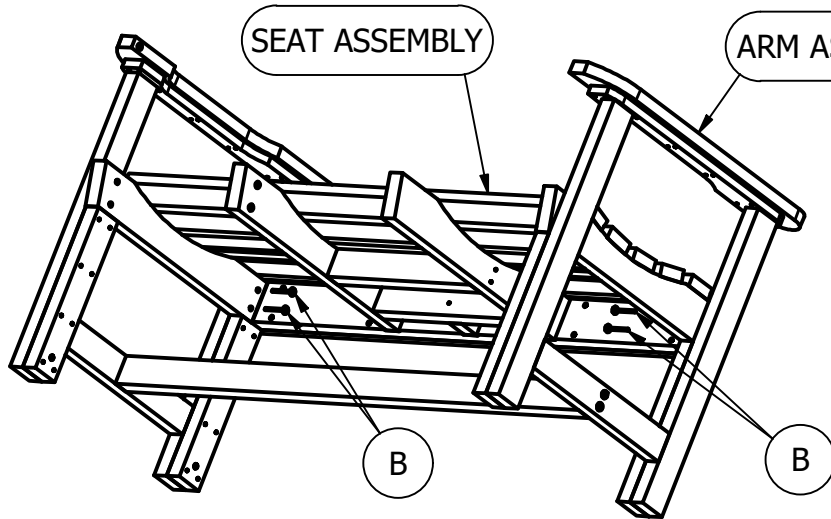
SEQUOIA  
PROFESSIONAL®

For information on Care and Cleaning or to register your SEQUOIA PROFESSIONAL product, please visit [www.sequoia profurniture.com](http://www.sequoia profurniture.com)

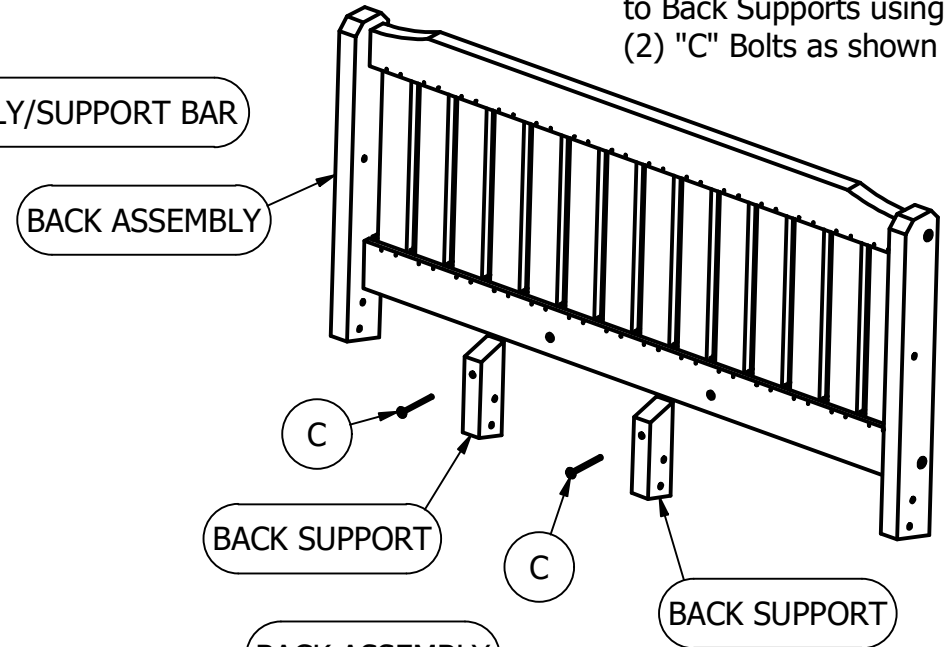
CM-BENSQ42  
05.15.19

PAGE 1 OF 2

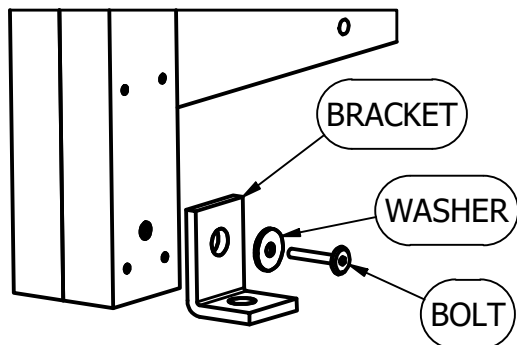
**2) Attach (1) Seat Assembly to Arm Assemblies/Support Bar using (4) "B" Bolts as shown**



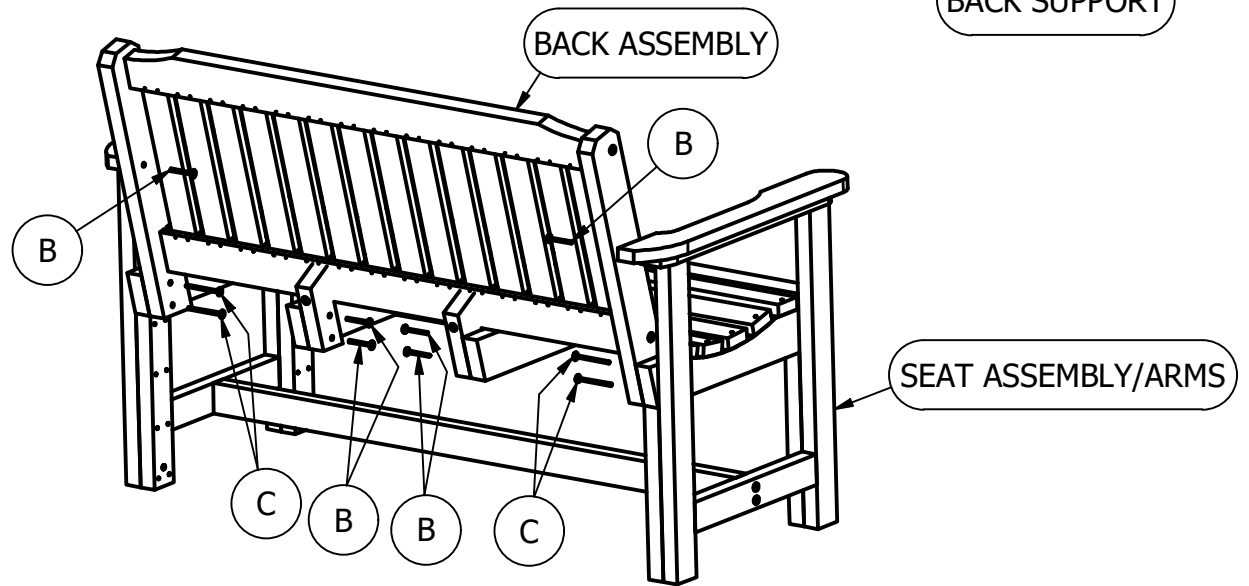
**3) Attach (1) Back Assembly to Back Supports using (2) "C" Bolts as shown**



**Included Hardware for Optimal Surface Mounting - 4X**



**Note:** Ground Anchors not included



**4) Attach (1) Back Assembly to Seat Assembly/Arms using (4) "C" Bolts and (6) "B" Bolts as shown**



**SEQUOIA  
PROFESSIONAL®**

For information on Care and Cleaning or to register your SEQUOIA PROFESSIONAL product, please visit [www.sequoiafurniture.com](http://www.sequoiafurniture.com)

CM-BENSQ42  
05.15.19

PAGE 2 OF 2